

The ultimate mobility tool

Batec handbikes are a comprehensive solution to your mobility problems:

- ✓ Go from reduced to **augmented mobility**; from needing help to being **independent** and **proactive**.
- ✓ Get a **2 in 1**, without giving up your manual wheelchair.
- ✓ Overcome **obstacles** and **drive over bumpy terrains**.
- ✓ Attach our handbikes in **just seconds** and with **no need for transfers**.
- ✓ Also available for **quadriplegics** and **hemiplegics**.

You CAN get used to being in a **wheelchair**



But not to giving up on

LIFE

www.batec-mobility.com

Distributed by

Permobil New Zealand Ltd
0800 115 222
sales.nz@permobil.com
www.permobil.com/en-nz

permobil



BATEC
MOBILITY



BATEC MINI 2



The minimum expression of Batec,
the maximum expression of you

BATEC MINI 2

The minimum expression of Batec,
the maximum expression of you

The **BATEC MINI 2** is compact, practical and versatile. Its simple **folding system** makes it easy to carry or put away in small spaces. And all without sacrificing the quality you've come to expect from a **Batec**.



Folding system for transport. Frame adjustable in 3 directions, to fit any user.



12" wheel with 12" x 2.40" ultra-grip tyre and black cast-aluminium rim.



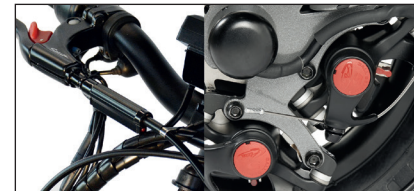
Brushless motor, 350 W nominal, 600 W maximum. Top speed of 20 km/h.



28 km* autonomy with 36 V – 280 Wh battery. 57 km* autonomy with 36 V – 576 Wh battery. 4A charger.



All-in-one LCD screen with speed selector.



140 mm disc, two mechanical brakes, two aluminium levers with parking brake.



100-lumen front light with running lamp/high beams. Dual LED tail light on the stand frame.



Horn and USB port.



Removable right dropout to change inner tube and/or tyre easily.



Matte black aluminium handlebar.



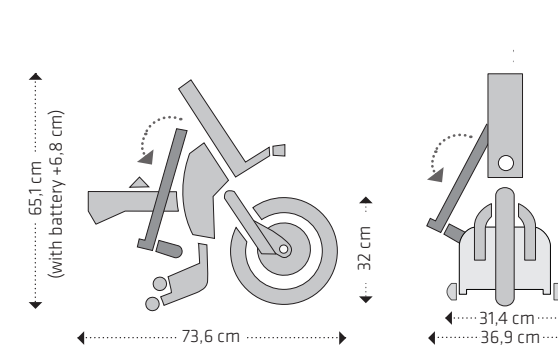
Optional G&B handlebar without levers for quadriplegics.



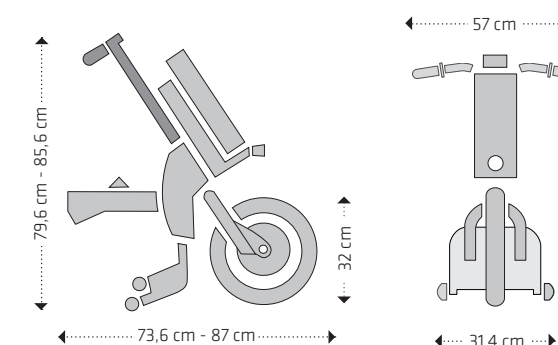
Monolever brake and accelerator handlebar for hemiplegics.



FOLDED IN



FOLDED OUT



* Autonomy calculated under the following conditions: 75 - kg user, ultra-light wheelchair, flat terrain, no wind and steady speed of 15 km/h. May vary +- 20% depending on the battery. | **Handlebar for hemiplegics can be mounted on the left or right. | Number/version: MM-014/3.0. | February 2023